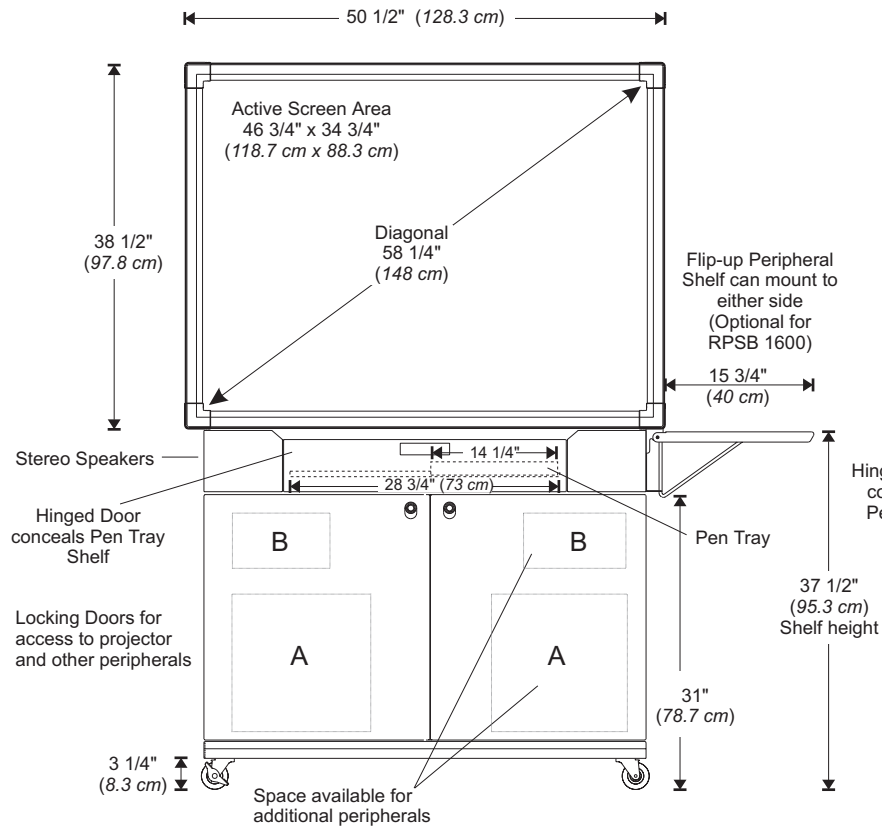


Rear Projection SMART Board™ 1602

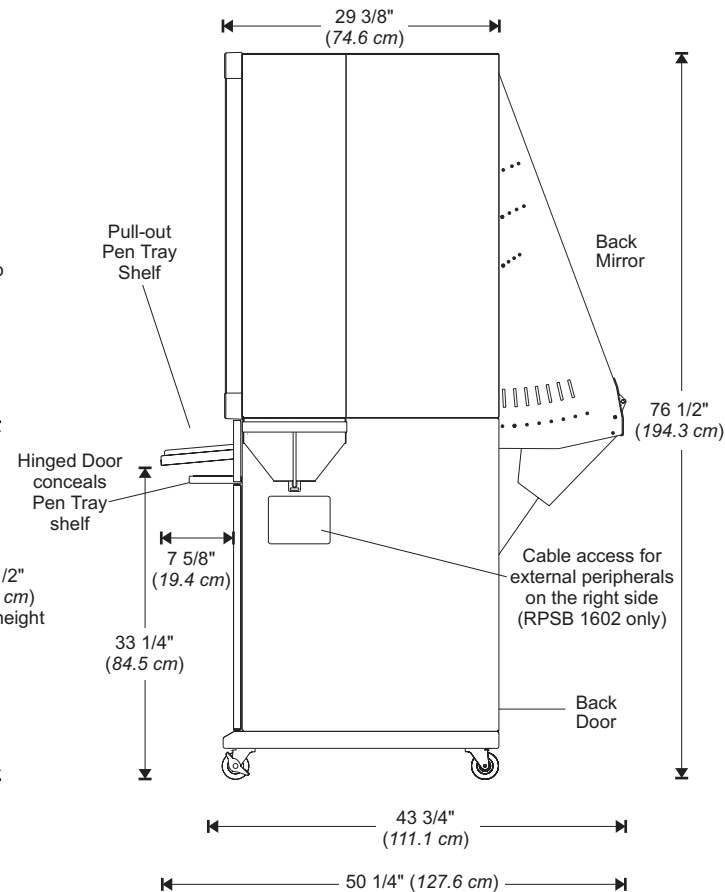
Front View



A (W x H x D)
Min. 8" x 17" x 22" (20.3 x 43.2 x 55.9 cm)
Max. 16" x 17" x 22" (40.6 x 43.2 x 55.9 cm)

B (W x H x D)
Min. 12" x 4" x 18" (30.5 x 10.2 x 45.7 cm)
Max. 12" x 6 1/4" x 18" (30.5 x 15.9 x 45.7 cm)

Side View (Operating Position)



Side View (Transport Position)

