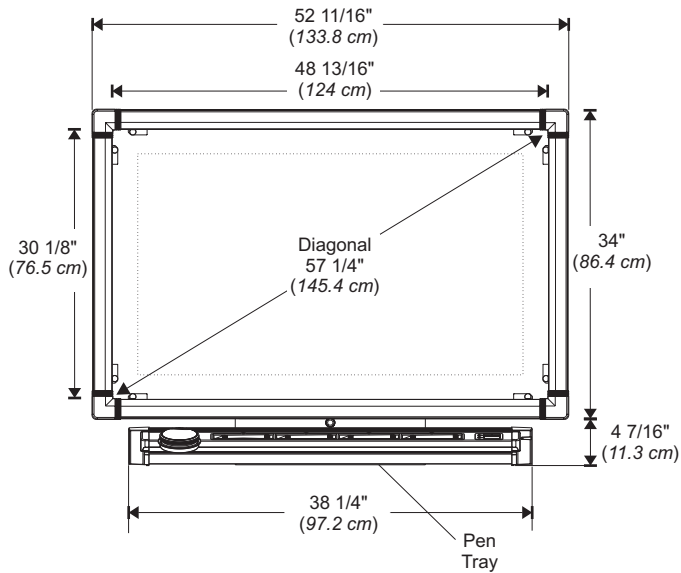


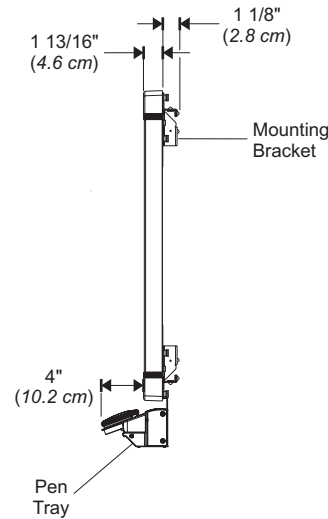
SMART Board for Plasma Displays™

PN250b for NEC PlasmaSync 50MP1

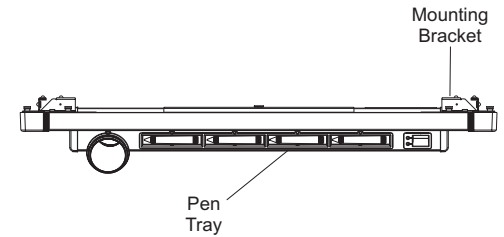
Front View



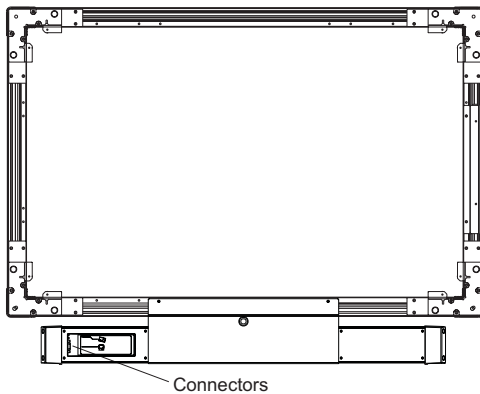
Side View



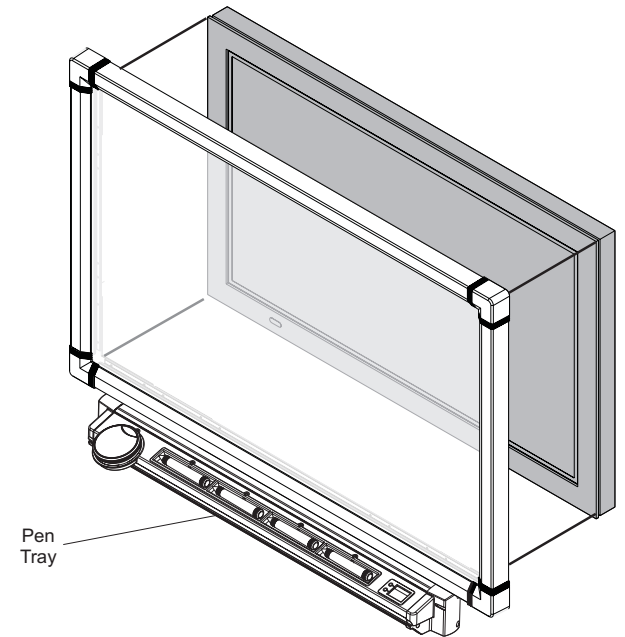
Top View



Back View



Mounting View



NOTE: All dimensions are +/- 1/8" (+/- 3.2 mm).

