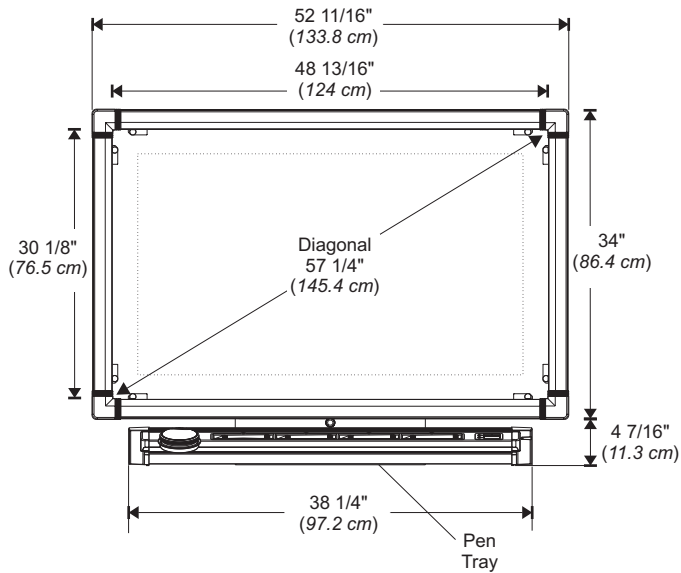


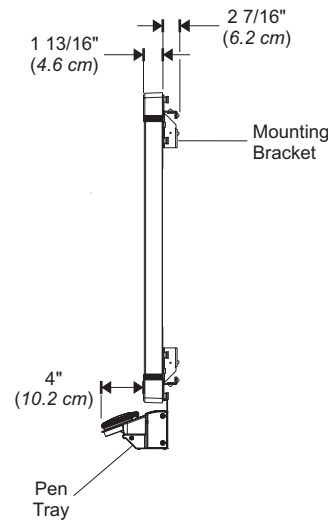
SMART Board for Plasma Displays™

PN250 for NEC PlasmaSync 5000W

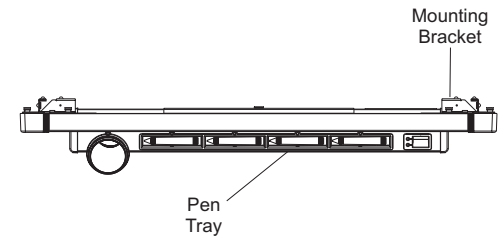
Front View



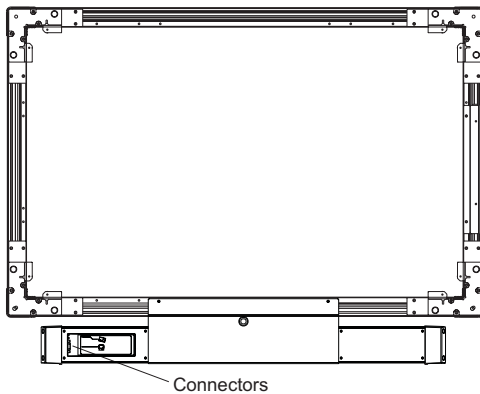
Side View



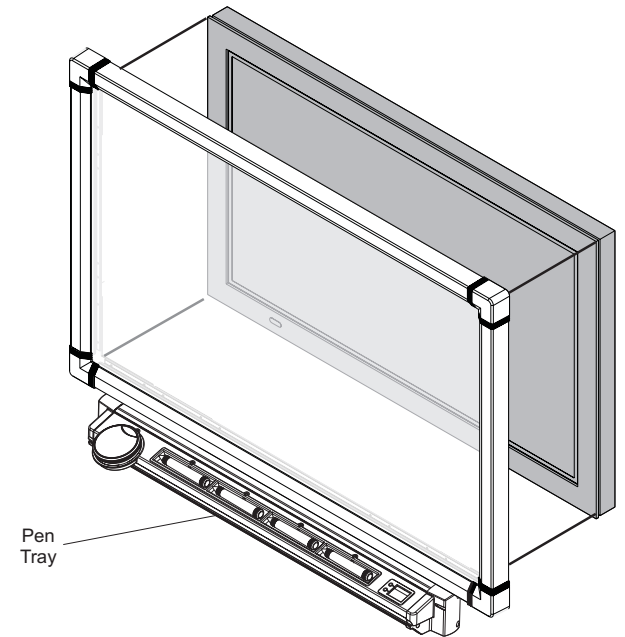
Top View



Back View



Mounting View



NOTE: All dimensions are +/- 1/8" (+/- 3.2 mm).

