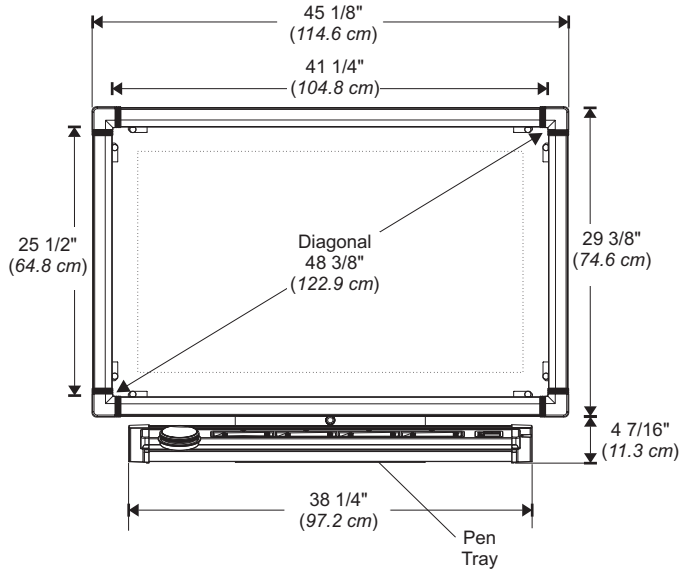


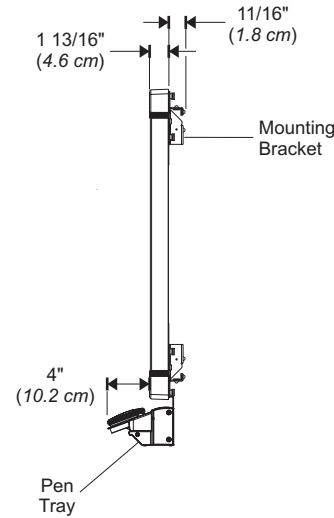
SMART Board for Plasma Displays™

PN242b for NEC PlasmaSync 42MP1, 42MP2

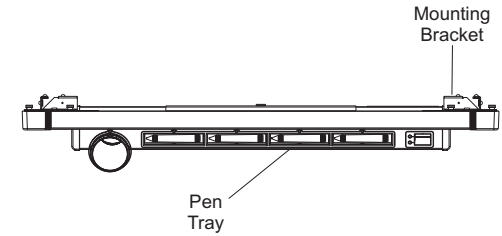
Front View



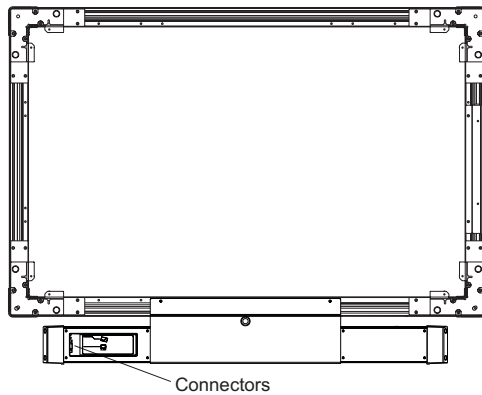
Side View



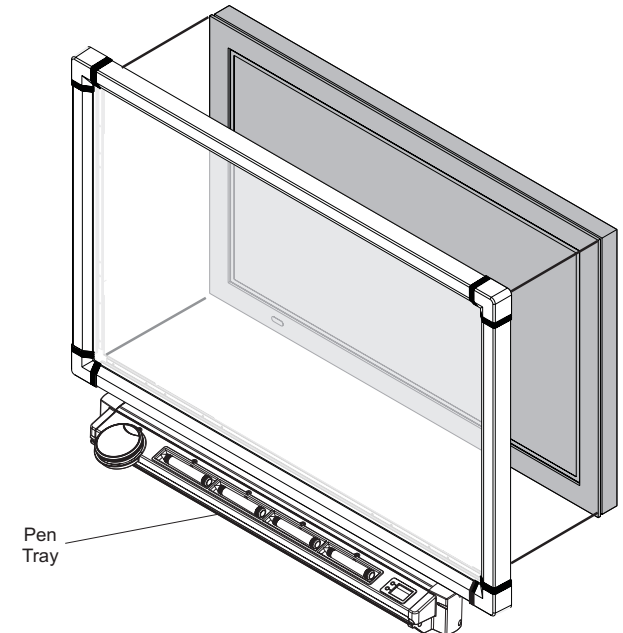
Top View



Back View



Mounting View



NOTE: All dimensions are +/- 1/8" (+/- 3.2 mm).

